



ATA 27 Single Phase Advanced Energy Meter with Modular Unit

Alcansar ATA 27 Advanced Single phase energy meter with swappable top base communication and prepayment units is manufactured for all electrical Utilities as well as sub metering needs. The meter can be used in credit (post-pay) or prepayment mode that has an option to switch remotely. Together with advanced features such as dual sources Mains / Generator energy registration, remote firmware upgare, anti-tamper features, and a wide range of communications options the meters become a unique solution for all type applications in smart grids.

More than 20 years of smart metering experince by merging inhouse Smart Metering software development capabilities we are offering end to end AMI solutions in order to answer following difficulties.

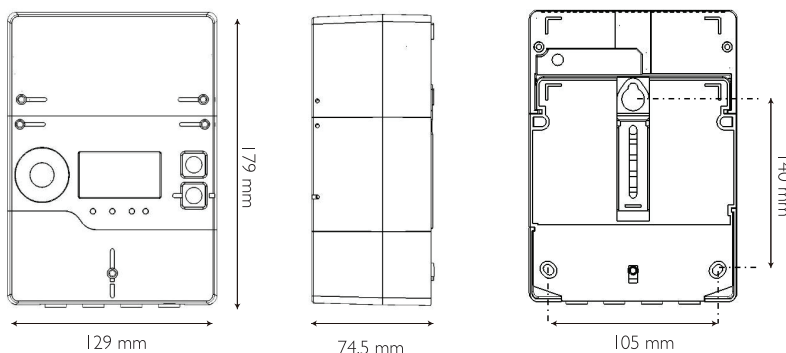
- cash collection,
- non technical losses reducing
- managing with bad payers,
- fraudulent existing meters
- remote tasks operation
- Prepayment
- load management



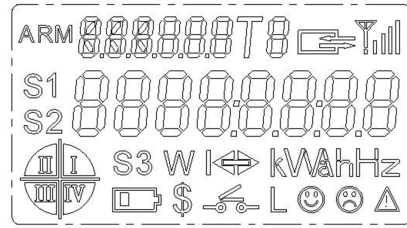
ATA 27 Technical Specifications

Referance Standarts	:
IEC 62052-II	General requirements, tests, and test condn. Part II
IEC 62053-21/23	Particular requirments
Part 21:	Static meters for active energy (Cl.I and 2)
Part 23 :	Static meters for reactive energy (classes 2 and 3)
IEC 62055-3I	Payments systems– Part 3I: Particular requirements
Static payment meters for active energy	(classes I and 2)
IEC 62056-6I	Data exchange for meter reading, tariff and load control
Part 6I:	Object identification system (OBIS)
BS 7856	: 2013 BS Conforms
EN 50470-I	: General requirements, tests and test conditions.
Metering equipment	(class indexes A, B and C)
EN 50470-3 :	Particular requirements -
Static meters for active energy	(class indexes A, B and C)
Accuracy	: Cl. I - Cl. 0.5 Active Energy
	Cl. 2 Reactive Energy
Nominal Voltage (Un)	: 220 ... 240Vac (0.4 Un ...1.2 Un)
Nominal Current (In)	: Ib(I _{max}) 5(100)A
Starting Current (Is)	: 0.004 Ib
Nominal Frequency	: 50 Hz
Internal Breaker	: 1 pole or 2 poles options
Mechanical endurance	10.000 cycle No Load condition
	3.000 cycle Max power at PF = 1
Meter Impulse	: 1000 imp/kWh , 1000 imp/kVArh
Impulse voltage tests	: IEC 60060-I, impulse voltage 6 kV
Overvoltage withstand	: 440Vac for 48 hours
Insulation system	: Protective Class II
Power consumption	: Voltage circuits <0.5W, 10VA
	Current circuit <4VA
Communications	:
Protocol	: DLMS/COSEM
Comm.Module	: SSN(Gen4/Gen5)/GPRS/PLC/RF
Comm.Port	: RS485/RS232
Weight	: 0.80 kg
Terminal holes	: 9.5 mm
Mechanical Features	: IP 54, double insulation
Limit Temperature	: -40°C +75°C (3K7)
Humidity	: 95%

ATA 27 Energy Meter Dimensions



Display Features



Main characters size	: 4mm(W) × 8.2mm(H)
Energy display digits	: 6+2
Display mode	: Scrolling display, Pushbutton
Data item	: OBIS

Functions Overview

Measuring Parameters

- Import/Export
- Active/Reactive
- W-hr/Var-hr
- Line Voltage/LineCurrent

Event Logs

- Power off
- Over voltage
- Clock setting
- Relay control
- Cover open
- Magnetic interference
- Unauthorized export of energy
- Neutral disturbance
- Software manipulation

Load profile

- 4 Independent profiles
- Up to 4 channels per profiles,
- 3 Months for each profile(15 minutes interval)

Tamper features

- Tamper events with visible and audible alarms